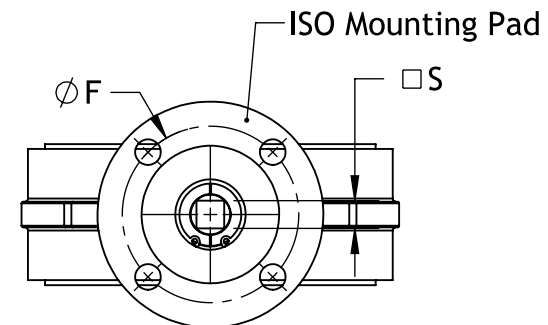


SECTION A-A



Standards:

- Valves designed to API-609, MSS-SP-67, MSS-SP-25
- Install between standard ANSI Class 125/150 Flanges
- Top works designed to ISO 5211

Valve Size	L	Q	n- $\phi$ h	D	H1	H2	H3	S (mm)	F(mm)	ISO
2"	1.66	1.03	4x 0.75	4.75	3.15	6.14	1.26	9	50	F05
2.5"	1.76	1.71	4x 0.75	5.50	3.50	6.38	1.26	9	50	F05
3"	1.78	2.46	4x 0.75	6.00	3.74	6.69	1.26	11	50	F05
4"	2.05	3.56	4x 0.75	7.50	4.49	7.28	1.26	11	70	F07
5"	2.14	4.35	4x 0.89	8.50	5.00	8.15	1.26	14	70	F07
6"	2.19	5.81	4x 0.89	9.50	5.47	8.50	1.26	14	70	F07
8"	2.39	7.66	4x 0.89	11.75	6.89	10.08	1.57	17	102	F10
10"	2.58	9.54	4x 1.00	14.25	7.99	9.76	1.57	22	102	F10
12"	3.03	11.69	4x 1.00	17.00	9.53	11.02	1.57	22	102	F10

TECHNICAL SPECIFICATIONS

Nominal Size (in)	2" thru 12"
Nominal Pressure	200 psi (PTFE only 150 psi)
Body Test Pressure	300 psi (PTFE only 225 psi)
Sealing Test Pressure	220 psi (PTFE only 165 psi)
Application Temp.	EPDM < 250°F
	EPDM/PTFE < 220°F
Body Material	ASTM A351 grade CF8M
Disc Material	Various (SS, DI/PTFE, SS/PTFE)
Shaft Material	431 SS

UNLESS OTHERWISE SPECIFIED:  
DIMENSIONS ARE IN INCHES  
SURFACE FINISH:  
TOLERANCES:  
LINEAR:  
ANGULAR:

FINISH:

DEBUR AND  
BREAK SHARP  
EDGES

A-01



**DELTA PRODUCTS**

TITLE:  
**650 Series 2-12"  
Wafer Butterfly Valves**

DWG NO.  
**650\_WAFER\_2\_THRU\_12** 8.5x11"

REVISION: 2

DO NOT SCALE DRAWING

WEIGHT:

SCALE:1:3

SHEET 1 OF 1